





目录	页面	Contents	Page
Y系列电动机		Y Series Electric Motor	
使用条件	434-434	Condition of Application	434-434
技术参数(Y, YEJ)	435-436	Technical Data for Y, YEJ	435-436
技术参数(YVF)	437-439	Technical Data for YVF	437-439
电机安装尺寸	438-438	Mounting Dimensions	438-438

**使用条件****Condition of Application****Y系列普通三相异步电机**

- 1 电机电压: 380V/50Hz;
- 2 电机防护等级IP54, 绝缘等级F, B级温升;
- 3 环境温度不超过40°C,不低于-15°C;
- 4 连续工作制S1;
- 5 海拔高度不超过1000m;
- 6 冷却方式为C0141(风扇自冷);
- 7 100及以下规格为"Y"接法, 112M及以上规格为"Δ"接法.

Y series Three-phase Asynchronous Electric Motor

- 1 voltage:380V/50Hz;
- 2 protection class:IP54,insulation class: F; temperature rising class: B;
- 3 ambient temperature:-15~40C ;
- 4 continue working duty:S1;
- 5 altitude less than 1000m;
- 6 self-cooling with fan:C0141;
- 7 within frame 100, follow connection Y, from frame 112, follow connection Δ .

YEJ系列三相异步制动电机

- 1 三相异步制动电机为普通电机的基础上附加制动器;
- 2 电机电压: 380V/50Hz;
- 3 制动器电压: 规格71~100: DC99V
规格112~200: DC170V
- 4 配置单相AC220V/50Hz整流器;
- 5 电机防护等级IP44, 绝缘等级F, B级温升;
- 6 环境温度不超过40°C,不低于-15°C;
- 7 连续工作制S1;
- 8 海拔高度不超过1000m;
- 9 冷却方式为C0141(风扇自冷);
- 10 100及以下规格为"Y"接法, 112M及以上规格为"Δ"接法.

YEJ series Three-phase Asynchronous Brake Motor

- 1 base on Y series motor, add a brake.
- 2 voltage:380V/50Hz;
- 3 brake voltage: frame:71~100 DC99V
frame:112~200 DC170V;
- 4 with single phase AC220V/50Hz rectifier;
- 5 protection class:IP44,insulation class: F, temperature rising class: B ;
- 6 ambient temperature:-15~40C ;
- 7 continue working duty:S1;
- 8 altitude less than 1000m;
- 9 self-cooling with fan:C0141;
- 10 within frame 100, follow connection Y, from frame 112, follow connection Δ .

YVF系列三相异步变频电机

- 1 电机电压: 380V;
- 2 基准频率: 50Hz;
- 3 允许调频5~50Hz, 恒转矩调速;
- 4 电机防护等级IP54, 绝缘等级F, B级温升;
- 5 环境温度不超过40°C,不低于-15°C;
- 6 连续工作制S1;
- 7 海拔高度不超过1000m;
- 8 冷却方式为C416(独立风扇);
- 9 接线方式按适配变频器要求.

YVF series Three-phase Variable-frequency Motor

- 1 voltage:380V;
- 2 rated frequency 50Hz;
- 3 available frequency:5~50Hz;
- 4 protection class:IP54,insulation class: F, temperature rising class:B;
- 5 ambient temperature:-15~40C ;
- 6 continue working duty:S1;
- 7 altitude less than 1000m;
- 8 cooling with independence fan:C416;
- 9 connection perform the requirement of inverter.

特殊电机

- 1 选用包括防爆电机, 辊道电机, 船用电机, 多速电机等特殊电机, 请联系本公司技术部;
- 2 异频率, 异电压电机, 请联系本公司技术部;
- 3 使用环境温度不在-15~40°C 范围内,请联系本公司技术部;
- 4 更高的绝缘等级及防护等级,请联系本公司技术部.

Customized Motor

- 1 for others like explosion proof, roller motor, marine motor or multi-speed motor, please contact us.
- 2 need different frequency and voltage, please contact us.
- 3 ambient temperature is not in -15~40C ,please contact us.
- 4 for higher insulation and protection class, please contact us.



技术参数(Y, YEJ)

Technical Data for Y, YEJ

型号 model	Y系列							Y series					YEJ	
	额定功率 rated power		满载时 full load				空载 振动 unload vibration (mm/s)	空载 噪声 unload noise dB(A)	堵转电流 额定电流 locked current rated torque	堵转转矩 额定转矩 locked torque rated torque	最大转矩 额定转矩 Max torque rated torque	制动器静 制动转矩 brake torque of static (N.m)	空载制 动时间 unloaded brake time (s)	
	KW	HP	异步 转速 Asynchronous speed (rpm)	电流 current (A)	效率 eff. (%)	功率 因数 power factor (cosφ)								
同步转速 3000 rpm, 380V/50Hz synchronous speed 3000 rpm, 380V/50Hz														
71M1-2	0.37	0.5	2800	0.99	70	0.81	1.8	64	6.1	2.2	2.2	4.0	0.20	
71M2-2	0.55	0.75	2800	1.40	73	0.82	1.8	64	6.1	2.2	2.3	4.0	0.20	
80M1-2	0.75	1	2840	1.83	77	0.83	1.8	67	6.1	2.2	2.3	7.5	0.20	
80M2-2	1.1	1.5	2840	2.58	79.0	0.84	1.8	71	7.0	2.2	2.3	7.5	0.20	
90S-2	1.5	2	2840	3.40	80.5	0.85	1.8	75	7.0	2.2	2.3	15	0.20	
90L-2	2.2	3	2840	4.80	82.5	0.85	1.8	75	7.0	2.2	2.3	15	0.20	
100L-2	3	4	2860	6.30	84.0	0.87	1.8	79	7.5	2.2	2.3	30	0.20	
112M-2	4	5.5	2890	8.20	86.0	0.90	1.8	79	7.5	2.2	2.3	40	0.25	
132S1-2	5.5	7.5	2900	11.0	88.0	0.90	1.8	83	7.5	2.2	2.3	75	0.25	
132S2-2	7.5	10	2900	15.0	88.5	0.90	1.8	83	7.5	2.2	2.3	75	0.25	
160M1-2	11	15	2947	20.5	90.5	0.90	2.8	87	7.5	2.2	2.3	150	0.35	
160M2-2	15	20	2947	28	91.0	0.90	2.8	87	7.5	2.2	2.3	150	0.35	
160L-2	18.5	25	2947	34	92.0	0.90	2.8	87	7.5	2.2	2.3	150	0.35	
180M-2	22	30	2930	41.3	90.0	0.90	2.8	89	7.5	2.2	2.3	220	0.60	
200L1-2	30	40	2940	55.5	91.2	0.90	2.8	92	7.5	2.2	2.3	300	0.70	
200L2-2	37	50	2940	67.9	92.0	0.90	2.8	92	7.5	2.2	2.3	300	0.70	
225M-2	45	60	2970	80.6	94.2	0.90	3.5	92	7.5	2.0	2.3	450	0.80	
250M-2	55	74	2970	98.3	94.5	0.90	3.5	92	7.5	2.0	2.3			
同步转速 1500 rpm, 380V/50Hz synchronous speed 1500 rpm, 380V/50Hz														
63M1-4	0.12	0.16	1330	0.44	57	0.72	1.8	58	4.4	2.1	2.2			
63M2-4	0.18	0.24	1330	0.62	60	0.73	1.8	58	4.4	2.1	2.2			
71M1-4	0.25	0.34	1390	0.79	65	0.74	1.8	58	5.2	2.1	2.2	4.0	0.20	
71M2-4	0.37	0.5	1390	1.10	67	0.75	1.8	58	5.2	2.1	2.2	4.0	0.20	
80M1-4	0.55	0.75	1390	1.60	73.5	0.75	1.8	61	5.2	2.4	2.3	4.0	0.20	
80M2-4	0.75	1	1390	2.0	75.5	0.77	1.8	61	6.0	2.3	2.3	7.5	0.20	
90S-4	1.1	1.5	1400	2.8	76.5	0.78	1.8	61	6.0	2.3	2.3	7.5	0.20	
90L-4	1.5	2	1400	3.7	79.5	0.78	1.8	64	6.0	2.3	2.3	15	0.20	
100L1-4	2.2	3	1420	5.2	82.0	0.81	1.8	64	7.0	2.3	2.3	15	0.20	
100L2-4	3	4	1420	6.8	83.0	0.82	1.8	64	7.0	2.3	2.3	30	0.20	
112M-4	4	5.5	1440	8.8	86.0	0.82	1.8	65	7.0	2.3	2.3	40	0.25	
132S-4	5.5	7.5	1440	11.7	87.0	0.83	1.8	71	7.0	2.3	2.3	75	0.25	
132M-4	7.5	10	1460	15.6	88.0	0.85	1.8	71	7.0	2.3	2.3	75	0.25	
160M-4	11	15	1460	21.7	90.5	0.85	2.8	75	7.0	2.2	2.3	150	0.35	
160L-4	15	20	1460	29.5	91.0	0.85	2.8	75	7.0	2.2	2.3	150	0.35	
180M-4	18.5	25	1470	35.9	91.0	0.86	2.8	76	7.5	2.2	2.3	150	0.35	
180L-4	22	30	1470	42.7	91.5	0.86	2.8	76	7.5	2.2	2.3	220	0.60	
200L-4	30	40	1470	57.9	91.5	0.87	2.8	79	7.2	2.2	2.3	300	0.70	
225S-4	37	50	1480	68.7	94.0	0.87	3.5	81	7.2	2.2	2.3	300	0.70	
225M-4	45	60	1480	83.4	94.2	0.87	3.5	81	7.2	2.2	2.3	450	0.80	
250M-4	55	74	1480	102	94.5	0.87	3.5	83	7.2	2.2	2.3			
280S-4	75	100	1480	138	94.7	0.87	3.5	86	7.2	2.2	2.3			
280M-4	90	121	1480	165.5	95.0	0.87	3.5	86	7.2	2.2	2.3			



技术参数(Y, YEJ)

Technical Data for Y, YEJ

型号 model	Y系列						Y series						YEJ	
	额定功率 rated power		满载时 full load				空载 振动 unload vibration (mm/s)	空载 噪声 unload noise dB(A)	堵转电流 额定电流 locked current rated torque	堵转转矩 额定转矩 locked torque rated torque	最大转矩 额定转矩 Max torque rated torque	制动器静 制动转矩 brake torque of static (N.m)	空载制 动时间 unloaded brake time (s)	
	KW	HP	异步 转速 Asynchronous speed (rpm)	电流 current (A)	效率 eff. (%)	功率 因数 power factor (cosφ)								
同步转速 1000 rpm, 380V/50Hz synchronous speed 1000 rpm, 380V/50Hz														
71M1-6	0.18	0.25	850	0.74	56	0.66	1.8	56	4.0	2.0	2.0	4.0	0.20	
71M2-6	0.25	0.35	850	0.95	59	0.68	1.8	56	4.0	2.0	2.0	4.0	0.20	
80M1-6	0.37	0.5	885	1.30	62	0.70	1.8	56	4.7	2.0	2.0	7.5	0.20	
80M2-6	0.55	0.75	885	1.79	65	0.72	1.8	58	4.7	2.0	2.1	7.5	0.20	
90S-6	0.75	1	910	2.3	72.5	0.71	1.8	61	5.6	2.1	2.1	15	0.20	
90L-6	1.1	1.5	910	3.2	74.5	0.71	1.8	65	6.4	2.1	2.1	15	0.20	
100L-6	1.5	2	920	4.0	78	0.74	1.8	67	6.4	2.1	2.1	30	0.20	
112M-6	2.2	3	940	5.57	81	0.75	1.8	67	6.4	2.1	2.1	40	0.25	
132S-6	3	4	960	7.4	84	0.76	1.8	71	6.4	2.1	2.1	75	0.25	
132M1-6	4	5.5	960	9.7	85.5	0.76	1.8	71	7.0	2.1	2.1	75	0.25	
132M2-6	5.5	7.5	960	12.9	86.5	0.77	1.8	71	7.0	2.1	2.1	75	0.35	
160M-6	7.5	10	960	16.5	88.5	0.78	2.8	75	7.0	1.9	2.1	150	0.35	
160L-6	11	15	960	23.5	89	0.80	2.8	75	7.0	2.1	2.1	150	0.35	
180L-6	15	20	970	28	90.5	0.90	2.8	78	6.5	2.0	2.1	220	0.60	
200L1-6	18.5	25	970	34	91.5	0.90	2.8	78	6.5	2.1	2.1	300	0.70	
200L2-6	22	30	970	40.4	92.0	0.90	2.8	78	6.5	2.0	2.1	300	0.70	
225M-6	30	40	980	57.4	93.5	0.85	3.5	76	7.0	1.8	2.1	450	0.80	
250M-6	37	49.6	980	70	93.5	0.86	3.5	78	7.0	1.8	2.1			
280S-6	45	60	980	85	93.5	0.86	3.5	80	7.0	1.8	2.0			
280M-6	55	74	980	104	93.8	0.86	3.5	80	7.0	1.8	2.0			
同步转速 750 rpm, 380V/50Hz synchronous speed 750 rpm, 380V/50Hz														
80M1-8	0.18	0.25	645	0.88	51	0.61	1.8	52	3.3	1.8	1.9	7.5	0.20	
80M2-8	0.25	0.34	645	1.15	54	0.61	1.8	52	3.3	1.8	1.9	7.5	0.20	
90S-8	0.37	0.5	670	1.5	62	0.61	1.8	56	4.0	1.8	1.9	15	0.20	
90L-8	0.55	0.75	670	2.17	63	0.61	1.8	56	4.0	1.8	2.0	15	0.20	
100L1-8	0.75	1	680	2.4	71	0.67	1.8	59	4.0	1.8	2.0	30	0.20	
100L2-8	1.1	1.5	680	3.3	73	0.69	1.8	59	5.0	1.8	2.0	30	0.20	
112M-8	1.5	2	690	4.4	75	0.69	1.8	61	5.0	1.8	2.0	40	0.25	
132S-8	2.2	3	710	6.03	78	0.71	1.8	64	6.0	1.8	2.0	75	0.25	
132M-8	3	4	710	7.9	79	0.73	1.8	64	6.0	1.8	2.0	75	0.25	
160M1-8	4	5.5	720	10.3	81	0.73	1.8	68	6.0	1.8	2.0	150	0.35	
160M2-8	5.5	7.5	720	13.6	83	0.74	1.8	68	6.0	1.8	2.0	150	0.35	
160L-8	7.5	10	720	17.8	85.5	0.75	2.8	68	6.0	1.9	2.0	150	0.35	
180L-8	11	15	730	25.1	87.5	0.76	2.8	70	6.6	1.9	2.0	220	0.60	
200L-8	15	20	730	34.1	88.0	0.76	2.8	73	6.6	2.0	2.0	300	0.70	
225S-8	18.5	25	730	41	90	0.76	3.5	73	6.6	2.0	2.0	450	0.80	
225M-8	22	30	740	47.4	90.5	0.78	3.5	73	6.6	2.0	2.0	450	0.80	
250M-8	30	40	740	63.4	91	0.79	3.5	75	6.6	2.0	2.0			
280S-8	37	50	740	77.8	91.5	0.79	3.5	76	6.6	1.9	2.0			
280M-8	45	60	740	94	92	0.79	3.5	76	6.6	1.9	2.0			



技术参数(YVF)

Technical Data for YVF

YVF系列变频率三相异步电机参数

Technical Data for Variable Frequency YVF Motor

同步转速 1500 rpm, 380V/50Hz synchronouse speed 1500 rpm,380V/50Hz										
型号 model	额定功率 rated power (KW)	电流 current (A)	额定转矩 rated torque (N.m)	空载振动 unload vibration (mm/s)	空载噪声 unload noise dB(A)	堵转转矩 额定转矩 <u>locked torque</u> rated torque	最大转矩 额定转矩 <u>Max torque</u> rated torque	最小转矩 额定转矩 <u>min. torque</u> rated torque	恒转矩变频范围 frequency range for constant torque	恒功率变频范围 frequency range for constant power
80M1-4	0.55	0.57	3.5	1.8	73	2.0	2.8	1.7	5~50	50~100
80M2-4	0.75	2.05	4.7	1.8	73	2.0	2.8	1.6	5~50	50~100
90S-4	1.1	2.89	7.0	1.8	76	2.0	2.8	1.6	5~50	50~100
90L-4	1.5	3.70	9.5	1.8	76	2.0	2.8	1.6	5~50	50~100
100L1-4	2.2	5.16	14	1.8	79	2.0	2.8	1.5	5~50	50~100
100L2-4	3	6.80	19	1.8	79	2.0	2.8	1.5	5~50	50~100
112M-4	4	9.30	25.4	1.8	80	2.0	2.8	1.5	5~50	50~100
132S-4	5.5	11.8	35	1.8	86	2.0	2.8	1.4	5~50	50~100
132M-4	7.5	15.6	47.7	1.8	86	2.0	2.8	1.4	5~50	50~100
160M-4	11	22.3	70	2.8	90	2.0	2.8	1.4	5~50	50~100
160ML-4	15	30.1	95.5	2.8	90	2.0	2.8	1.4	5~50	50~100
180M-4	18.5	36.5	117.1	2.8	91	2.0	2.8	1.2	5~50	50~100
180L-4	22	43.5	140.9	2.8	91	2.0	2.8	1.2	5~50	50~100
200L-4	30	57.6	190.9	2.8	92	2.0	2.8	1.2	5~50	50~100
225S-4	37	69.8	235.5	2.8	94	2.0	2.8	1.2	5~50	50~100
225M-4	45	84.6	286.4	2.8	94	1.7	2.8	1.1	5~50	50~100
250M-4	55	103.2	350.1	3.5	96	1.7	2.8	1.1	3~50	50~100
280S-4	75	139.6	447.7	3.5	99	1.7	2.8	1.0	3~50	50~100
280M-4	90	166.8	572.9	3.5	99	1.7	2.8	1.0	3~50	50~100

适配变频器及风机参数

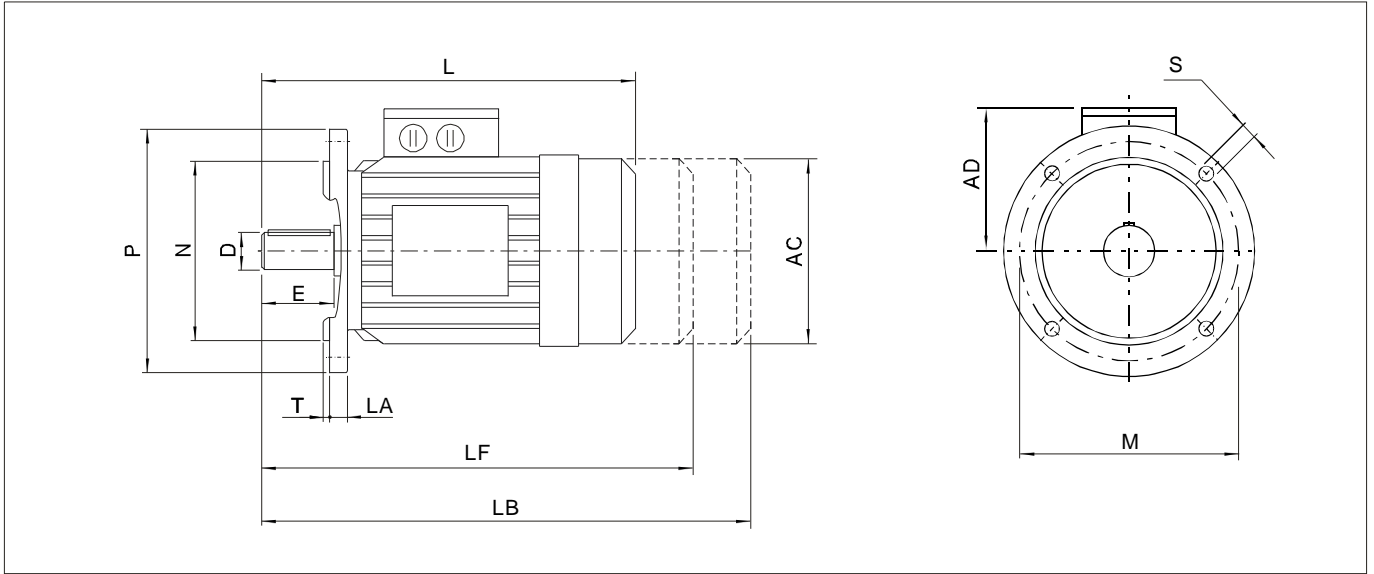
Technical Data for Inverter and Cool Motor

型号 model	额定功率 rated power (KW)	变频器容量 inverter capacity (KWA)	风机额定电压 cool motor voltage (V)	风机额定功率 cool motor power (W)	风机额定频率 cool motor frequency (Hz)	风机转速 cool fan speed (rpm)
80M1-4	0.55	1	380	30	50	2800
80M2-4	0.75	1	380	30	50	2800
90S-4	1.1	2	380	42	50	2800
90L-4	1.5	3	380	42	50	2800
100L1-4	2.2	4	380	52	50	2800
100L2-4	3	6	380	52	50	2800
112M-4	4	10	380	60	50	2800
132S-4	5.5	10	380	80	50	1400
132M-4	7.5	10	380	80	50	1400
160M-4	11	15	380	80	50	1400
160ML-4	15	20	380	80	50	1400
180M-4	18.5	30	380	80	50	1400
180L-4	22	30	380	80	50	1400
200L-4	30	40	380	150	50	1400
225S-4	37	50	380	200	50	1400
225M-4	45	60	380	200	50	1400
250M-4	55	70	380	200	50	1400
280S-4	75	100	380	300	50	1400
280M-4	90	120	380	300	50	1400



电机安装尺寸

Mounting Dimensions



机型号 frame	级数 poles	AC Ø	AD	D Ø	E	L	LB	LF	LA	M Ø	N Ø	P Ø	S	T
63	4	130	108	11	23	225	301		9	115	95	140	4-Ø10	3
71	2~6	145	110	14	30	250	306		9	130	110	160	4-Ø10	3.5
80	2~6	175	145	19	40	295	370	370	10	165	130	200	4-Ø12	3.5
90S	2~6	195	150	24	50	315	394	380	10	165	130	200	4-Ø12	3.5
90L	2~6	195	150	24	50	340	425	410	10	165	130	200	4-Ø12	3.5
100L	2~6	215	175	28	60	385	482	465	11	215	180	250	4-Ø15	4
112M	2~6	240	185	28	60	400	500	480	11	215	180	250	4-Ø15	4
132S	2~6	275	205	38	80	470	588	530	12	265	230	300	4-Ø15	4
132M	2~6	275	205	38	80	510	638	570	12	265	230	300	4-Ø15	4
160M	2~6	330	255	42	110	615	769	660	15	300	250	350	4-Ø19	5
160L	2~6	330	255	42	110	670	838	715	15	300	250	350	4-Ø19	5
180M	2~6	380	275	48	110	700	820	775	18	300	250	350	4-Ø19	5
180L	2~6	380	275	48	110	740	870	815	18	300	250	350	4-Ø19	5
200L	2~6	420	305	55	110	770	898	850	20	350	300	400	4-Ø19	5
225S	2~6	470	325	60	140	815	1000	885	20	400	350	450	8-Ø19	5
225M	2~6	470	325	60	140	845	1030	915	20	400	350	450	8-Ø19	5
250M	2~6	510	380	65	140	910		980	22	500	450	550	8-Ø19	5
280S	2~6	580	410	75	140	985		1085	22	500	450	550	8-Ø19	5
280M	2~6	580	410	75	140	1035		1135	22	500	450	550	8-Ø19	5

注:

本表尺寸为Y系列电机尺寸, IEC标准;

L为普通电机长度尺寸;

LB为制动电机长度尺寸;

Lf为变频电机尺寸。

ATTENTION!

The dimension is suitable for Y series motor, IEC standard;

L for the length of general motor;

LB for the length of brake motor;

Lf for the length of variable frequency motor.